

OT3120af: 100MHz General Purpose Clock Multiplier PLL

The OT3120af is a flexible clock multiplier PLL function with a wide range of input and output frequencies designed for a single poly 0.5µ CMOS process.

Features

- ❖ Wide range N, M, P integer dividers.
- ❖ 15MHz – 120MHz output frequency range.
- ❖ Compare frequency range 2MHz – 32MHz.
- ❖ 4pS RMS jitter at 100MHz.
- ❖ Lock-detect function.
- ❖ Bypass function.
- ❖ Well defined startup behavior.
- ❖ -40°C to 140°C temperature operation.
- ❖ Available divider selection program.
- ❖ Small cell area: 0.15mm² in 0.5µ CMOS.
- ❖ 7mW typical power dissipation at 5V.
- ❖ 2.7V - 5.5V analog and digital supplies.
- ❖ AMIS 0.5µ single poly process compatibility.

Typical Applications

- ❖ Crystal frequency to device internal clock multiplication.

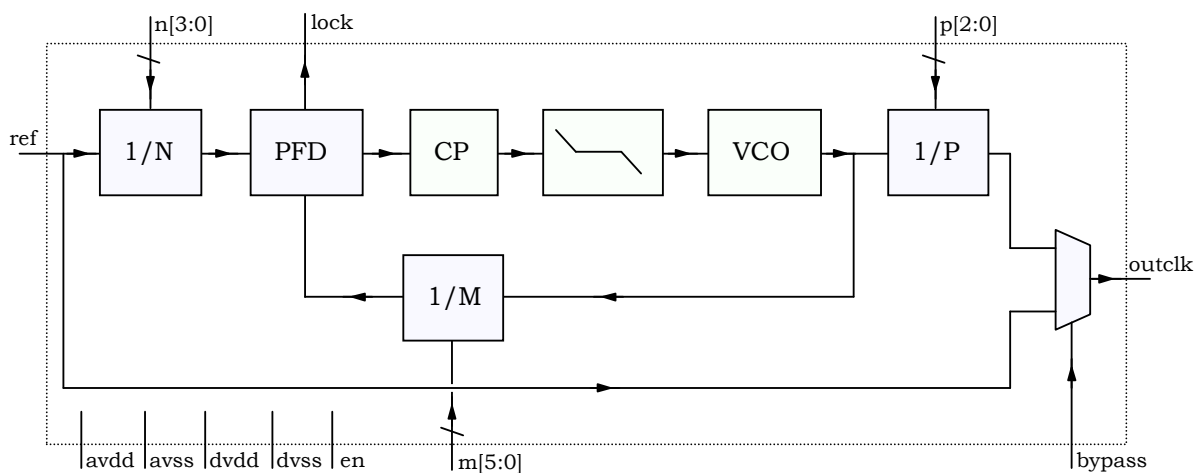
Deliverables

- ❖ Verilog model.
- ❖ LEF.
- ❖ Spice netlist for LVS.
- ❖ Flat GDS.
- ❖ Timing files.
- ❖ Integration notes.
- ❖ Production test notes.

Service

- ❖ 4 Weeks lead time for process ports to similar technologies.
- ❖ Available support for manufacturing, test, and characterization.
- ❖ Simulation results for specific PLL ratios.
- ❖ Available on-site translation to your design style.

Multi-use pricing: \$9,900



Block Diagram

About Obsidian Technologies IP

Full Service

- ❖ Early delivery of front-end models.
- ❖ On-site support available, including transfer of source to your design environment.
- ❖ Available on-site design review.
- ❖ On-site training for source licensing.
- ❖ Option to take ip through your own quality and review processes.
- ❖ Characterization support.
- ❖ Fast and flexible legal. We typically accept a your standard bi-directional NDA. Simple plain-language contracts.

Customization

Naturally! All ip supplied by Obsidian Technology may be customized to specific needs. We also provide ip to customer supplied specifications.

Price Leader

We will not be undersold!

Simple License Options

IP Multi-Use Package

- ❖ Never undersold value pricing.
- ❖ NO Royalties.
- ❖ No restrictions on number of uses.
- ❖ Support included.
- ❖ Available on-site consulting and design integration training / support.
- ❖ Available on-site detailed design review.

Source Ownership

- ❖ Full source ownership and required documentation and training to allow modification, derivation, porting.
- ❖ Hierarchical gds layout, schematic, netlist, integration notes, data sheet, design notes, test benches, layer map.
- ❖ Available on site consulting and design integration training / support / porting to your system.
- ❖ NO Royalties.